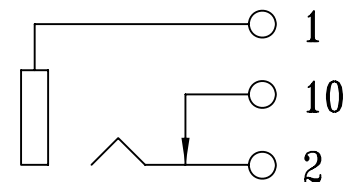
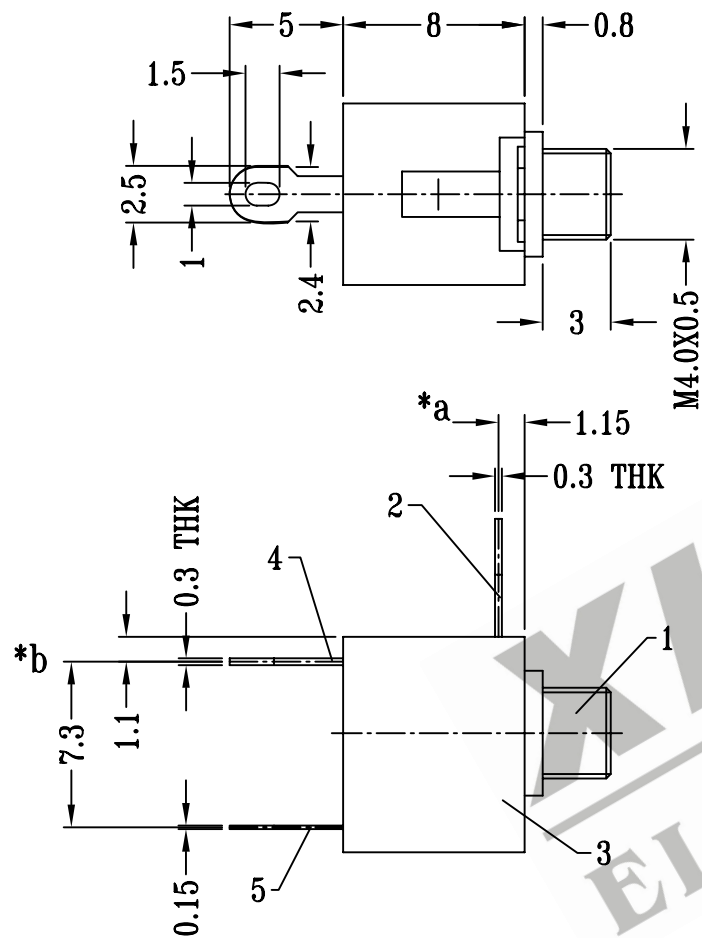
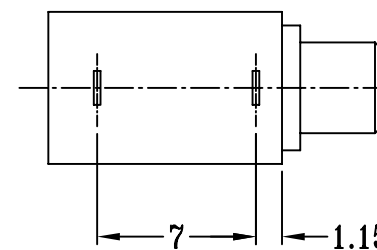
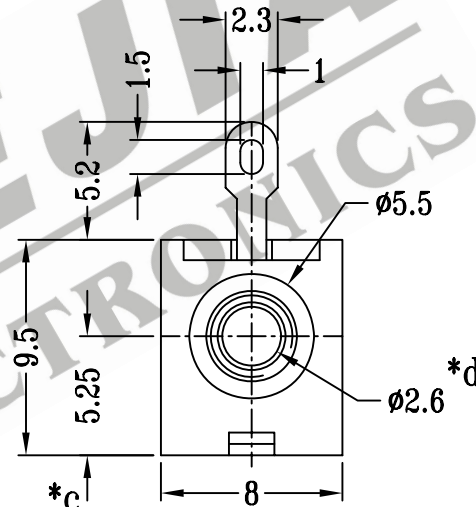


CAD FILE:



SCHEMATIC



P.C.B LAYOUT

注:带"*"表示关键尺寸(4个)

NO.	PARTS	MATERIALS	Q'TY	FINISH	TOLERANCE UNLESS SPECIFIED	SHENZHEN XIEJIA ELECTRONICS CO.,LTD.				
8					WITHIN: 1.5±0.1mm	ISSUE	DATE	DESCRIPTIONS OF REVISION		APPD.
7				OVER: 1.5±0.2mm						
6										
5	SPRING TERMINAL	STAINLESS STEEL	1	Ag PLATED OVER Ni PLATED	TITLE : PHONE JACK		UNIT : mm	DRWG NO.: XJ-DR-EY501CM3.0-00		
4	TERMINAL	BRASS STRIP	1	Ag PLATED OVER Ni PLATED	MODEL: EY-501-C-M-3.0		SCALE: 3:1	DWN.	ZHOUYU	2000-4-10
3	CASE	ABS	1	MILKY WHITE	ALL MATERIALS MUST BE COMPLIANT TO ROHS			CHK'D	FANGYING	2000-4-10
2	CONTACT	BRASS STRIP	1	Ag PLATED OVER Ni PLATED				APPD.	KANGXINAN	2000-4-10
1	SOCKET	BRASS	1	Ni PLATED						